



# ATLAS METAL

1135 N.W. 159th DRIVE, MIAMI, FLORIDA 33169

TEL 305.625.2451

TOLL FREE 800.762.7565

FAX 305.623.0475

WWW.ATLASFOODSERV.COM

SALES@ATLASFOODSERV.COM

Project: \_\_\_\_\_

Item No.: \_\_\_\_\_

Quantity: \_\_\_\_\_

## SELF LEVELING DISPENSERS



WMCR-1020

# RACK DISPENSER

## Wall Mounted Canilever Rack Dispenser

WMCR-1020

WMCR-2020

### SPECIFICATIONS

The cabinet housing construction of the model WMCR shall be heavy duty grade 18-8 stainless steel and the back panel is reinforced for suspension on the wall mounting bracket.

**WALL MOUNTING BRACKET:** Dispensers shall be furnished with concealed heavy gauge stainless steel mounting bracket, for wall mounting with lag or toggle bolts.

**SELF LEVELING:** The dispensing height shall be field adjustable by adding or removing extension springs, located behind the stainless steel access panel the tray platform shall be self leveling with heavy duty bearings and bearing guides.

**RACK DOLLY (optional):** Shall be constructed of heavy gauge grade 18-8 stainless steel, 4" heavy duty swivel casters, gray vinyl non-marking corner bumpers.

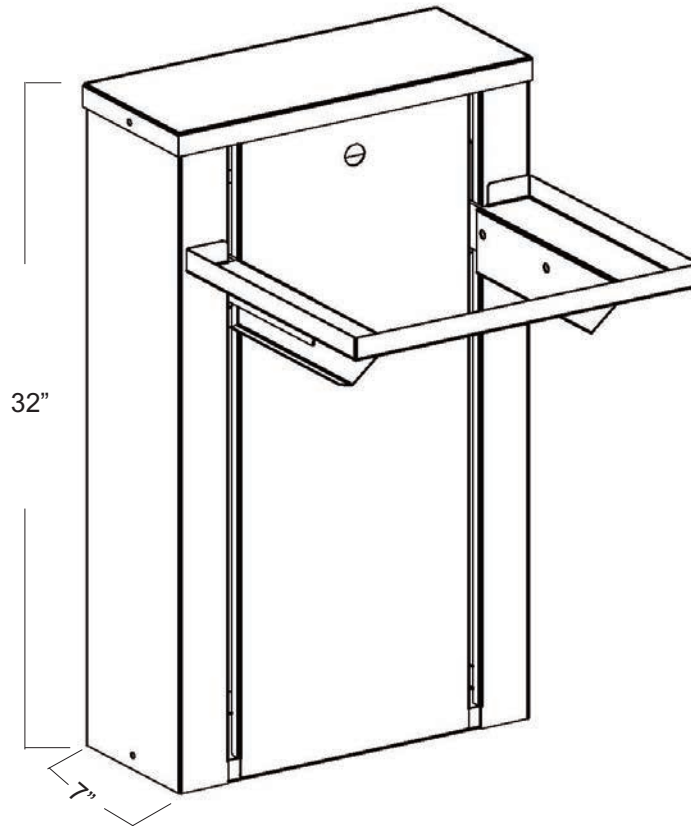
*Specifications subject to change without notice.*

### STANDARD FEATURES

- Rack capacities vary with the size and types of racks used.
- All stainless steel construction
- Total load capacity: 250 LBS

### ACCESSORIES

- Rack Dolly



**WMCR: WALL MOUNTED CANTILEVER RACK/DISPENSER**

<b>MODEL</b>	<b>MAXIMUM RACK SIZE</b>	<b>L X W</b>	<b>SHIPPING WT. (lbs.)</b>
WMCR-1020	10-1/4" X 20-1/4" (26 X 51.4cm)	18" X 21" (45.7 X 53.3cm)	67 (30.4kg)
WMCR-2020	20-1/4" X 20-1/4" (51.4 X 51.4cm)	28" X 21" (71.1 X 53.3cm)	82 (37.2kg)