



# ATLAS METAL

1135 N.W. 159th DRIVE, MIAMI, FLORIDA 33169

TEL 305.625.2451

TOLL FREE 800.762.7565

FAX 305.623.0475

WWW.ATLASFOODSERV.COM

SALES@ATLASFOODSERV.COM

Project: \_\_\_\_\_

Item No.: \_\_\_\_\_

Quantity: \_\_\_\_\_

## SELF LEVELING DISPENSERS



MER-2020

# RACK DISPENSER

Mobile Enclosed  
Rack Dispenser

- MER-1020
- MER2-1020
- MER-2020
- MER-18J

### SPECIFICATIONS

Integrally welded extruded aluminum frame with stainless steel top and side panels.

**TOP:** Shall be 16 gauge stainless steel grade 18-8 welded and polished to a #3 finish.

**SIDE PANELS:** Shall be 18 gauge stainless steel grade 18-8. #3 standard. And .050 aluminum with optional laminate.

**FRAME:** Extruded aluminum 1-1/4" x 1-1/4" vertical corner supports no less than 1/8" thick.

**TRAY CARRIER:** Shall be gauge grade 18-8 stainless steel #3 finish.

**SELF LEVELING:** Elevators shall be stainless steel die stamped telescoping tubing non fatiguing compression type springs stainless steel, totally enclosed.

**CORNER BUMPERS:** Shall be gray non-marking vinyl attached securely to frame.

**CASTERS:** Shall be 4" swivel heavy duty with optional brake.

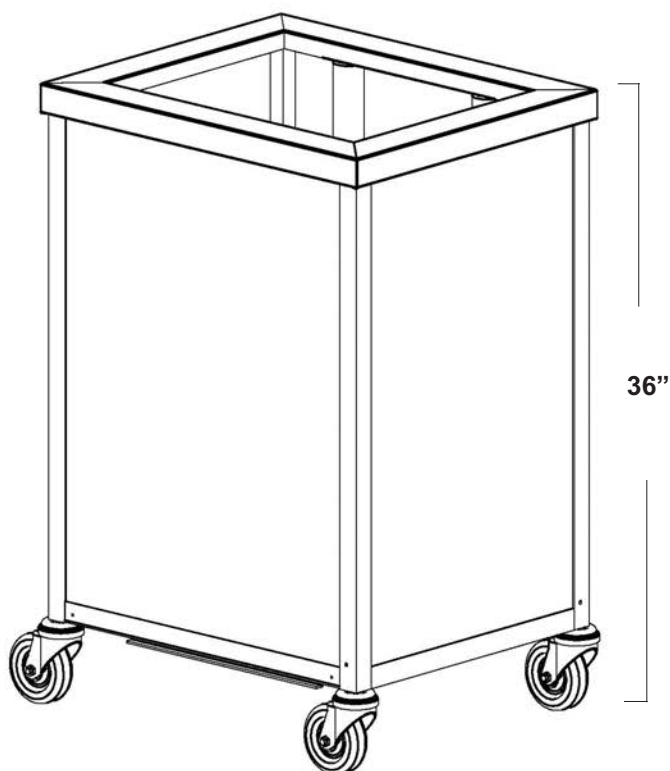
*Specifications subject to change without notice.*

### STANDARD FEATURES

- Factory calibrated springs
- All stainless steel construction
- Rack capacities vary with the size and type if racks used
- MER2-1020 dispenses two separate stacks of racks
- All stainless steel construction
- NSF Approved

### ACCESSORIES

- Modify height
- **LB** - Locking brakes (set of 2)
- **WB** - Wrap around bumpers
- Trapezoid tray (per stack)
- Plastic laminate panels (set of 4)
- Silverware dispenser
  - SD-6** - 6 hole - with nylon cylinders
  - SD-8** - 8 hole - with nylon cylinders
  - SD-10** - 10 hole with nylon cylinders
- **ND** - Napkin dispenser



<b>MER: MOBILE ENCLOSED RACK/DISPENSER</b>			
<b>MODEL</b>	<b>MAXIMUM RACK SIZE</b>	<b>L X W</b>	<b>SHIPPING WT. (lbs.)</b>
MER-1020	10-1/4" X 20-1/4" (26 X 51.4cm)	26-1/4" X 16-1/4" (66.6 X 41.2cm)	68 (30.8kg)
MER2-1020*	10-1/4" X 20-1/4" (26 X 51.4cm)	28" X 26-1/4" (71.1 X 66.6cm)	125 (56.6kg)
MER-2020	10-1/4" X 20-1/4" (26 X 51.4cm)	26-1/4" X 26-1/4" (66.6 X 66.6cm)	125 (56.6kg)
MER-18J	18" DIAMETER (45.7cm)	24-1/4" X 24-1/4" (61.5 X 61.5cm)	125 (56.6kg)

\* Model MER2-1020 dispenses two separate stacks of racks