



# ATLAS METAL

1135 N.W. 159th DRIVE, MIAMI, FLORIDA 33169

TEL 305.625.2451

TOLL FREE 800.762.7565

FAX 305.623.0475

WWW.ATLASFOODSERV.COM

SALES@ATLASFOODSERV.COM

Project: \_\_\_\_\_

Item No.: \_\_\_\_\_

Quantity: \_\_\_\_\_

## SELF LEVELING DISPENSERS



BIT-1014

# TRAY DISPENSER

Built-In  
Tray Dispenser

- BIT-1014
- BIT2-1014
- BIT-1216
- BIT-1418
- BIT-1520
- BIT-1622
- BIT-1821

### SPECIFICATIONS

Cabinet sides and bottom shall be constructed of heavy gauge galvanized steel with a non-conductive perimeter top strip. Interior top of cabinet shall be reinforced with galvanized channel supports.

**TRAY CARRIER:** The tray carrier shall be grade 18-8 stainless steel removable for cleaning.

**SELF LEVELING:** Elevators shall be stainless steel die stamped telescoping tubing non-fatiguing compression type springs stainless steel totally enclosed.

**OPTIONAL TOP SUPPORT FLANGE:** Flange shall be constructed of heavy gauge grade 18-8 stainless steel. The flange edge is beveled for snug fit when installed in the counter top.

**CORNER BUMPERS:** Not included on this model.

**CASTERS:** Not included on this model.

**INSTALLATION:** The standard models BIT require a 11/16" I.D. 90 degree counter brake down into the cabinet to opening. Bottom of cabinet must be supported.

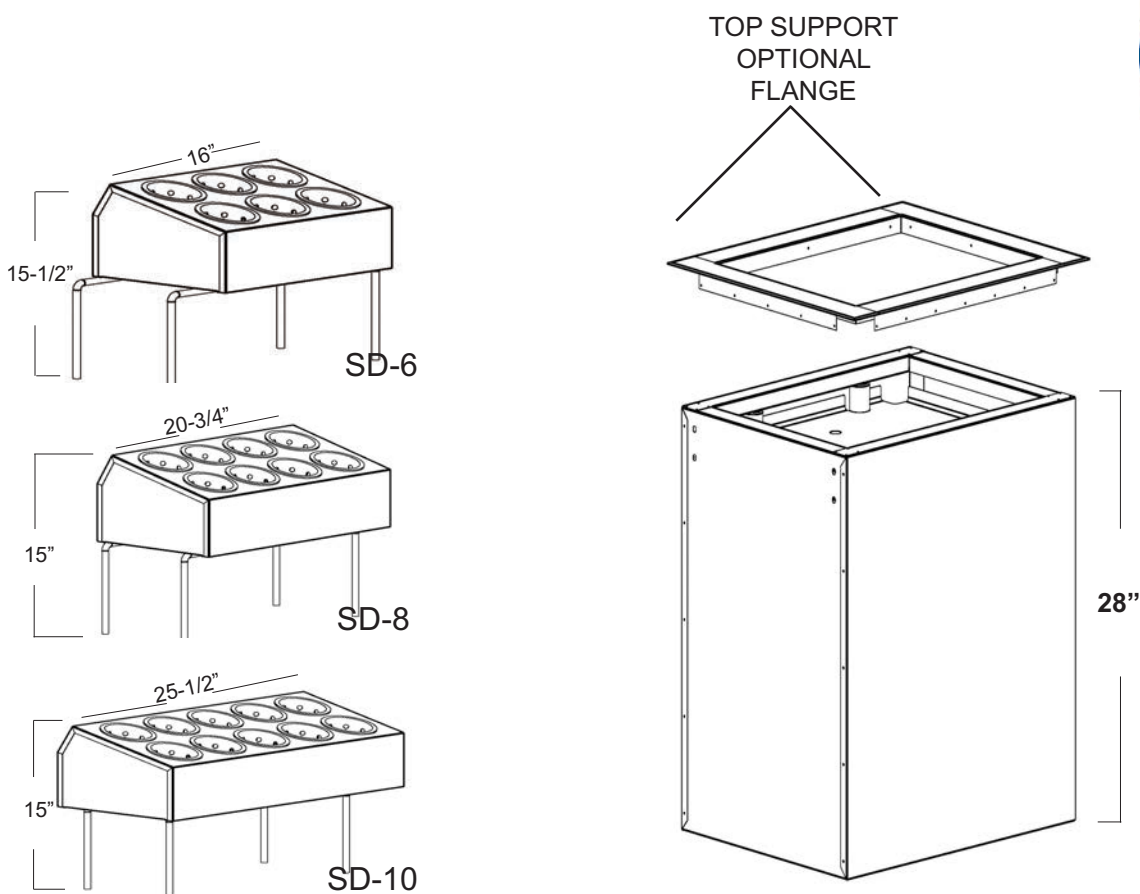
*Specifications subject to change without notice.*

### STANDARD FEATURES

- Tray capacity approx. 100 to 150 trays per stack
- All stainless steel construction
- Tray capacities vary with the size and type if trays used
- Model BIT2-1014 dispenses two separate stacks of trays
- NSF Approved

### ACCESSORIES

- Top support flange
- Modify in counter depth
- Trapezoid tray (per stack)
- Silverware dispenser
  - SD-6 - 6 hole - with nylon cylinders
  - SD-8 - 8 hole - with nylon cylinders
  - SD-10 - 10 hole with nylon cylinders
- ND - Napkin dispenser



BIT: BUILT-IN TRAY/DISPENSER				
MODEL	MAXIMUM TRAY SIZE	OVER ALL OUTER CASE	COUNTER CUT-OUT	SHIPPING WT. (lbs.)
BIT-1014	10-7/8" X 15" (27.6 X 38.1cm)	15-11/16" X 19-11/16" (39.8 X 50cm)	11-11/16" X 15-11/16" (30 X 39.8cm)	70 (31.8kg)
BIT2-1014	10-7/8" X 15" (27.6 X 38.1cm)	27-11/16" x 19-11/16" (70.3 X 50cm)	23-11/16" X 15-11/16" (60.1 X 39.8cm)	102 (46.3kg)
BIT-1216	12-5/8" X 16-3/8" (32.1 X 41.6cm)	21-3/16" X 17-3/16" (53.8 X 43.6cm)	17-3/16" X 13-3/16" (43.6 X 33.5cm)	78 (35.4kg)
BIT-1418	14-5/8" X 18-3/8" (37.1 X 46.7cm)	23-3/16" X 19-3/16" (58.9 X 48.7cm)	19-3/16" X 15-3/16" (48.7 X 38.6cm)	78 (35.4kg)
BIT-1520	15-5/8" X 20-3/8" (39.7 X 51.7cm)	25-3/16" X 20-3/16" (64 X 51.3cm)	21-3/16" X 16-3/16" (53.8 X 41.1cm)	102 (46.3kg)
BIT-1622	16-5/8" X 22-3/8" (42.2 X 56.8cm)	27-3/16" X 21-3/16" (69 X 53.8cm)	23-3/16" X 17-3/16" (58.9 X 43.6cm)	102 (46.3kg)
BIT-1821	18-1/8" X 22-3/8" (46 X 56.8cm)	26-3/16" X 22-11/16" (66.5 X 58.1cm)	22-3/16" X 18-11/16" (56.3 X 47.4cm)	85 (38.6kg)