



Atlas Metal

INDUSTRIES, INC.

A subsidiary of Mercury Aircraft, Inc

1135 N.W. 159th DRIVE, MIAMI, FLORIDA 33169

TEL.: (305) 625-2451 TOLL FREE (800) 762-7565 FAX: (305) 623-0475

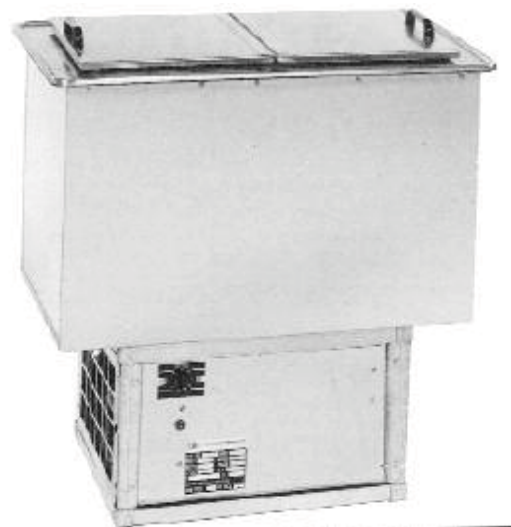
ICE CREAM FREEZER-WDF & WDF-L SERIES

Service and Installation Manual

Please read this manual completely before attempting to install or operate this equipment!
Notify carrier of damage! Inspect all components immediately. See page 1.



WDF
DROP-IN ICE CREAM FREEZER
REFRIGERATED, SELF CONTAINED



WDF-L
DROP-IN SLIM-LINE ICE CREAM
FREEZER, REFRIGERATED, SELF
CONTAINED



Effective Date: 2017
IMPORTANT INFORMATION
READ BEFORE USE

CONTENTS

| | |
|---|----|
| RECEIVING & INSPECTING EQUIPMENT..... | 1 |
| SERIAL AND MODEL # LOCATION..... | 1 |
| WDF - SPECIFICATIONS, FEATURES AND ACCESSORIES..... | 2 |
| ELECTRICAL CHARACTERISTICS, CUT-OUT REQUIREMENTS AND REFRIGERATION CHART..... | 3 |
| WDF-L - SPECIFICATIONS, FEATURES AND ACCESSORIES..... | 4 |
| ELECTRICAL CHARACTERISTICS, CUT-OUT REQUIRMENTS AND REFRIGERATION CHART..... | 5 |
| WDF & WDF-L INSTALLATION, OPERATION AND S/S MAINTENANCE..... | 6 |
| PARTS LIST..... | 7 |
| TROUBLE SHOOTING GUIDE..... | 8 |
| ELECTRICAL SCHEMATIC..... | 9 |
| LIMITED WARRANTY..... | 10 |
| WARRANTY INFORMATION..... | 11 |

RECEIVING AND INSPECTING THE EQUIPMENT

1. VISUALLY INSPECT THE SHIPPING CRATE. DAMAGE SHOULD BE NOTED AND REPORTED TO THE DELIVERING CARRIER.
2. IF DAMAGED, OPEN AND INSPECT CONTENTS WITH CARRIER.
3. IF CRATE IS NOT DAMAGED AND THERE IS CONCEALED DAMAGE TO THE EQUIPMENT, NOTIFY THE CARRIER. NOTIFICATION MUST BE MADE VERBALLY AND IN WRITING.
4. REQUEST AN INSPECTION BY THE SHIPPING COMPANY FOR THE DAMAGED EQUIPMENT WITHIN 10 DAYS FROM RECEIPT OF THE EQUIPMENT
5. FREIGHT CARRIERS CAN SUPPLY THE NECESSARY FORMS ON REQUEST.
6. SAVE ALL CRATING MATERIALS UNTIL INSPECTION HAS BEEN MADE OR WAIVED.

SERIAL NUMBER LOCATION

THE SERIAL AND MODEL # CAN BE FOUND ON THE CONDENSING UNIT ENCLOSURE - SEE OPERATORS SIDE CONTROL PANEL WHEN CALLING ATLAS FOR PARTS AND SERVICE ALWAYS HAVE THIS INFORMATION AVAILABLE.

SERIAL #: _____

MODEL #: _____

INSTALLATION DATE: _____



Atlas Metal

INDUSTRIES, INC.

A subsidiary of Mercury Aircraft, Inc

1135 N.W. 159th DRIVE, MIAMI, FLORIDA 33169

TEL.: (305) 625-2451 TOLL FREE (800) 762-7565 FAX: (305) 623-0475

Web Page: www.atlasfoodserv.com E-Mail: sales@atlasfoodserv.com

Project: _____

Item No.: _____

Quantity: _____

DROP-IN SERVING EQUIPMENT



WDF-2

ICE CREAM FREEZER

Refrigerated,
Self-Contained

WDF-2

WDF-3

SPECIFICATIONS

TOP: Constructed of 18 gauge, type 304 stainless steel, die stamped with a raised perimeter bead. There shall be a solid vinyl gasket under the beaded edge to form a seal to the counter top, thus preventing seepage or marring the counter top.

LINER: The inner liner shall be 18 gauge, type 304 stainless steel, one piece construction, all welded, ground and polished to a uniform finish. All corners are covered with a minimum 1/4" radius on the horizontal edges and a minimum 3/4" radius on the vertical edges. The liner has copper tubing firmly soldered to the exterior sides and bottom. The unit is provided with an all stainless steel insulated, hinged, lift off lid, with plastic coated pulls.

INSULATION: The unit is fully insulated with high density polystyrene, 2-1/2" thick on all sides, and enclosed with a 22 gauge galvanized steel outer liner.

REFRIGERATION SYSTEM: The compressor housing shall be fabricated from 14 gauge galvanized and bolted to the base of the unit. A fully self-contained condensing unit is provided with a hermetically sealed compressor and a thermostat control. The system is fully charged with CFC free refrigerant and ready to operate.

NOTE: Proper ventilation must be provided in counter.

ELECTRICAL: The unit will be wired for 15 amps., 120 volt, single phase operation, with an on/off thermostat switch and pilot light. A 6' long, 3-wire cord and plug (NEMA 5-15P) will be provided.

Specifications subject to change without notice.

STANDARD FEATURES

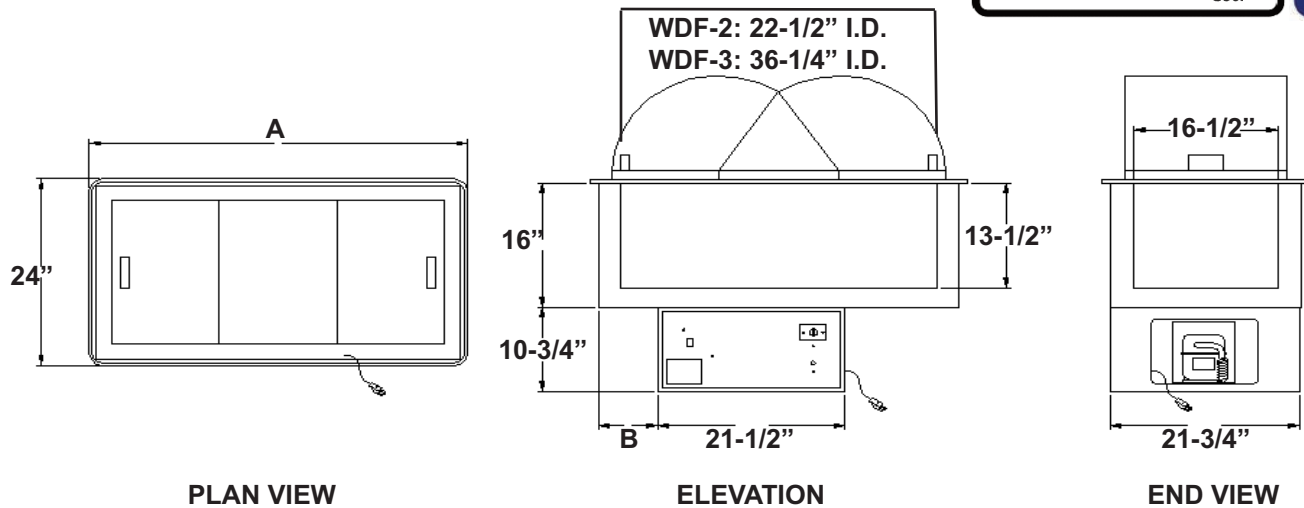
- Fully insulated for maximum efficiency and energy savings
- Removable S/S hinged lid
- Factory applied gasket - makes installation a snap and seals units to the counter top, thus eliminating seepage
- Ideal for frozen dessert or use it as a mug or plate chiller
- 1-Year Parts & Labor Warranty
- NSF Certified and UL Recognized

ACCESSORIES

- **5YW** - 5-Year Compressor Warranty
- Hinged Plexiglas Lid
- **LLD** - Lid Locking Device
- **2060-1** - Condensate Evaporator
- **RS** - Remote On/Off Switch for counter mounting
- * **220 Volt - 50 Cycle** Compressor

*Please see Operation & Installation Manual for ALL operation and maintenance details.

* Units with these accessories are not currently UL listed.



| MODEL | "A" | "B" | INTERIOR DIMENSIONS | CU. FT. CAPACITY | LBS. CAPACITY | ELECTRICAL CHARACTERISTICS | CUT-OUT REQUIRED | SHIP WT. (LBS.) |
|-------|----------------------|--------------------|---|------------------|-----------------|----------------------------|-------------------------------------|------------------|
| WDF-2 | 29-3/4" (75.5cm) | 6-7/8" (17.4cm) | 16-1/2" X 22-1/2" X 13-1/2" (41.9 X 57.1 X 34.2cm) | 4.5 | 100 (45.3kg) | 6.8amps. X 120V X 1/4HP | 22-1/4" X 28" (56.5 X 71.1cm) | 194 (88kg) |
| WDF-3 | 43-1/2" (110.4cm) | 3" (7.6cm) | 16-1/2" X 36-1/2" X 13-1/2" (41.9 X 92.7 X 34.2cm) | 7.8 | 150 (68kg) | 6.8amps. X 120V X 1/4HP | 22-1/4" X 41-3/4" (56.5 X 106cm) | 232 (105.2kg) |

| REFRIGERATION CHART | | | | | | |
|---------------------|-----|------|-----|-----------|------------|-------------|
| MODEL | HP | REF. | OZ. | LOW PSIG. | HIGH PSIG. | BTU M10 90A |
| WDF-2 | 1/4 | 134A | 4 | min 3 in | 129 | 1070 |
| WDF-3 | 1/4 | 134A | 5 | min 3 in | 129 | 1070 |

WDFX - REFRIGERATED ICE CREAM FREEZER WITHOUT COMPRESSOR

Units include Refrigerated Ice Cream Freezer, Thermostat, Cap Tube & Drier (for hook up in field by others)

COMPRESSORS FOR REMOTE INSTALLATIONS

2029-1 - 1/4 HP for WDFX-2 & 3



Atlas Metal
INDUSTRIES, INC.

A subsidiary of Mercury Aircraft, Inc

1135 N.W. 159th DRIVE, MIAMI, FLORIDA 33169

TEL.: (305) 625-2451 TOLL FREE (800) 762-7565 FAX: (305) 623-0475

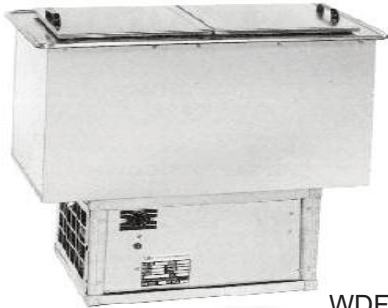
Web Page: www.atlasfoodserv.com E-Mail: sales@atlasfoodserv.com

Project: _____

Item No.: _____

Quantity: _____

SLIM-LINE DROP-IN SERVING EQUIPMENT



WDF-L

**SLIM-LINE
ICE CREAM
FREEZER**

WDF-L

Refrigerated,
Self-Contained

SPECIFICATIONS

TOP: Constructed of 18 gauge, type 304 stainless steel, die stamped with a raised perimeter bead. There shall be a solid vinyl gasket under the beaded edge to form a seal to the counter top, thus preventing seepage or marring of the counter top.

LINER: The inner liner shall be 18 gauge, type 304 stainless steel, one piece construction, all welded, ground and polished to a uniform finish. All corners are covered with a minimum 1/4" radius on the horizontal edges and a minimum 3/4" radius on the vertical edges. The liner has copper tubing firmly soldered to the exterior sides and bottom. The unit is provided with an all stainless steel, insulated, hinged, lift off lid, with plastic coated pulls.

INSULATION: The unit is fully insulated with high density polystyrene, 2-1/2" thick on all sides, and enclosed with a 22 gauge galvanized steel outer liner.

REFRIGERATION SYSTEM: The compressor housing shall be fabricated from formed angles and bolted to the base of the unit. A fully self-contained condensing unit is provided with a hermetically sealed compressor and a thermostat control. The system is fully charged with CFC free refrigerant and ready to operate.

NOTE: Proper ventilation must be provided in counter.

ELECTRICAL: The unit will be wired for 15 amps., 120 volt, single phase operation, with an on/off thermostat switch and pilot light. A 6' long, 3-wire cord and plug (NEMA 5-15P) will be provided.

Specifications subject to change without notice.

STANDARD FEATURES

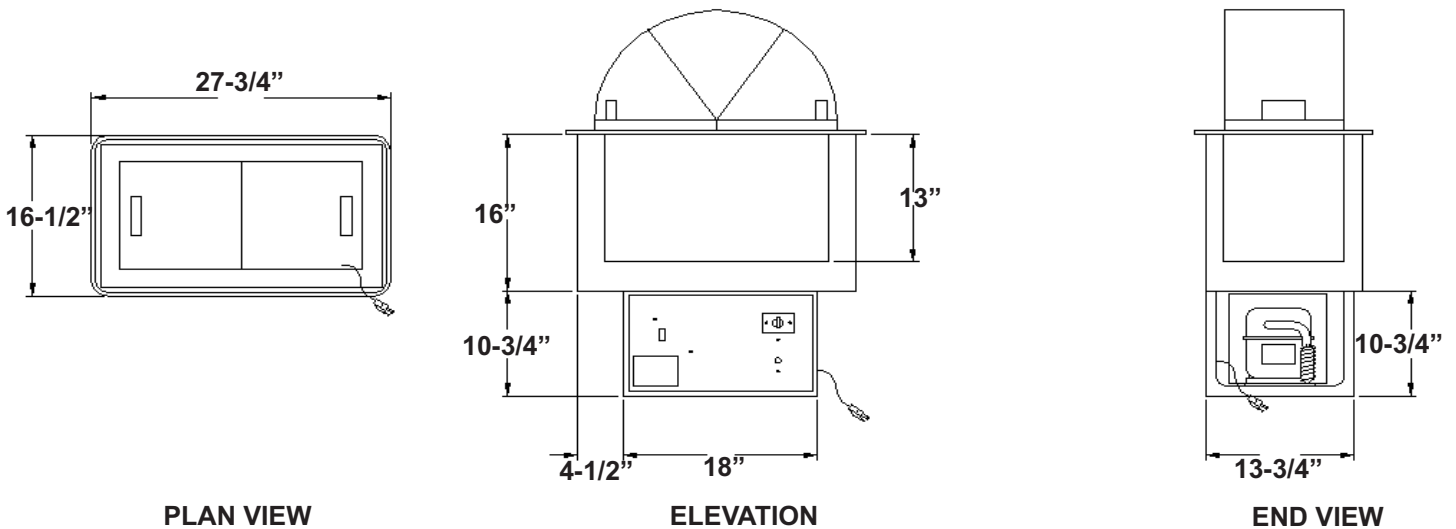
- Slim-line configuration - it can install in counters only 16-1/2" wide
- Fully insulated for maximum efficiency and energy savings
- Removable S/S hinged lid
- Factory applied gasket - makes installation a snap and seals units to the counter top, thus eliminating seepage
- Ideal for any frozen dessert or use it as a mug or plate chiller
- 1-Year Parts & Labor Warranty
- NSF Certified and UL Recognized

ACCESSORIES

- **5YW** - 5-Year Compressor Warranty
- Hinged Plexiglas Lid
- **LLD** - Lid Locking Device
- **2060-1** - Condensate Evaporator
- **RS** - Remote On/Off Switch for counter mounting
- * **220 Volt - 50 Cycle** Compressor

*Please see Operation & Installation Manual for ALL operation and maintenance details.

* Units with these accessories are not currently UL listed.



| MODEL | SIZE W x L x D | CU. FT. CAPACITY | LBS. CAPACITY | ELECTRICAL CHARACTERISTICS | CUT-OUT REQUIRED | SHIP WT. (LBS.) |
|-------|---|---------------------|------------------|-------------------------------|----------------------------|--------------------|
| WDF-L | 22-1/2" X 11-1/4" X 13" (57.2 X 28.6 X 33cm) | 1.9 | 65 (29.5kg) | 2.4 amps. - 120V 1/5 HP | 26" X 15" (66 X 38.1cm) | 158 (54kg) |

| REFRIGERATION CHART | | | | | | |
|---------------------|-----|------|-----|--------------|---------------|----------------|
| MODEL | HP | REF. | OZ. | LOW PSIG. | HIGH PSIG. | BTU M10 90A |
| WDF-L | 1/5 | 134A | 2.5 | min 3 in | 129 | 505 |

WDF-LX - REFRIGERATED ICE CREAM FREEZER WITHOUT COMPRESSOR
Units include Refrigerated Ice Cream Freezer, Thermostat, Cap Tube & Drier (for hook up in field by others)

COMPRESSORS FOR REMOTE INSTALLATIONS
2029 - 1/5 HP for WDF-LX

ICE CREAM FREEZERS

WDF & WDFL SERIES

INSTALLATION

Provide the correct counter cut-out opening (see chart below) and drop in. The vinyl gasket assures complete seating. A non-toxic silicone seal may be used between the gasket and counter top (not required).

| MODEL NUMBER | CUT-OUT SIZE |
|--------------|-----------------|
| WDF-2 | 22 1/4 X 28 |
| WDF-3 | 22 1/4 X 41 3/4 |
| WDF-L | 15 X 26 |

When installing unit in a counter, it is recommended that the operator side of the counter be completely open for air circulation. When this is not possible, such as in an island counter, it is recommended that two grill openings are provided approximately 18" x 18" of free air for intake and exhaust at the opposite ends of the counter.

The unit is supplied with a power cord and NEMA plug. Refer to the data plate on the compressor housing for the amperage and voltage information. Use a licensed electrician when installing power source.

OPERATION

The unit is ready to operate as soon as it is plugged in. The thermostat has an off position and numbers from #1 through #7 (number 7 is the coldest). The unit should be turned off every day after used and turned on one hour before serving.

MAINTENANCE

NEVER CLEAN PANS WITH A CHLORIDE BASED PRODUCT. CHLORIDES OR IMPROPER CLEANING COULD SCAR, MARK AND/OR CORRODE PANS. **DO NOT** USE STEEL WOOL OR ABRASIVE PRODUCTS. TO CLEAN USE SOAPY WARM WATER, RINSE THOROUGHLY TO REMOVE ALL RESIDUES. **FAILURE TO MEET THESE CONDITIONS WILL VOID**

WARRANTY.

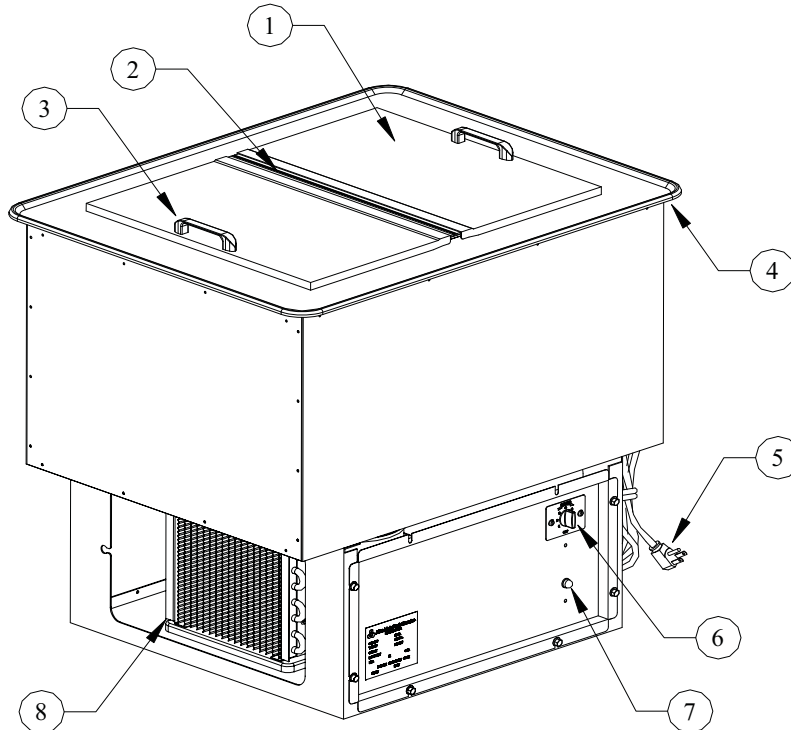
CLEAN CONDENSER COIL REGULARLY.



Subsidiary of Mercury Aircraft, Inc.

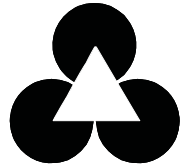
1135 N.W. 159th DR., MIAMI, FL 33169
 PHONE (305) 625-2451, (800) 762-7565, FAX (305) 623-0475, E-mail: sales@atlasfoodserv.com

PARTS LIST ICE CREAM FREEZERS WDF & WDFL SERIES



**WDF-2
 SHOWN**

| ITEM NUMBER | PART NUMBER | DESCRIPTION |
|-------------|------------------|---|
| 1 | S11054 + Model # | WDF Lid Assembly |
| | S33155-0 | WDFL Lid Assembly |
| 2 | S11014-0 | WDF Hinge |
| | S81809-0 | WDFL Hinge |
| 3 | 6043-0 | Lid Handles |
| 4 | 7002-0+Model # | Vinyl Bead Gasket |
| 5 | 1003-0 | Power Cord with Plug |
| 6 | 2043-0 | Thermostat |
| 7 | 1099-0 | Pilot Light |
| 8 | 2029-0 | 1/5 H.P. Compressor WDFL |
| | 2029-1 | 1/4 H.P. Compressor WDF-2 & 3 |
| 9 | 4043-1 | Handle Screws (Not Shown) |
| 10 | 7003-0+Model # | Throat Gasket (Not Shown) |
| 11 | 2027-0 | 0.031 Cap Tube for 1/5 H.P. Comp. WDFL only (Not Shown) |
| 12 | 2026-0 | 0.042 Cap Tube for 1/4, H.P. Comp. (Not Shown) |
| 13 | 2025-0 | Drier (Not Shown) |
| 14 | 7030-0 | WDFL Plastic Underlid (Not shown) |
| 15 | 7031-0 | WDF-2-3 Plastic Underlid (Not Shown) |
| 16 | 7032-0 | WDF-3 Center Underlid (Not Shown) |
| 16 | 600008 | Thermostat Knob |



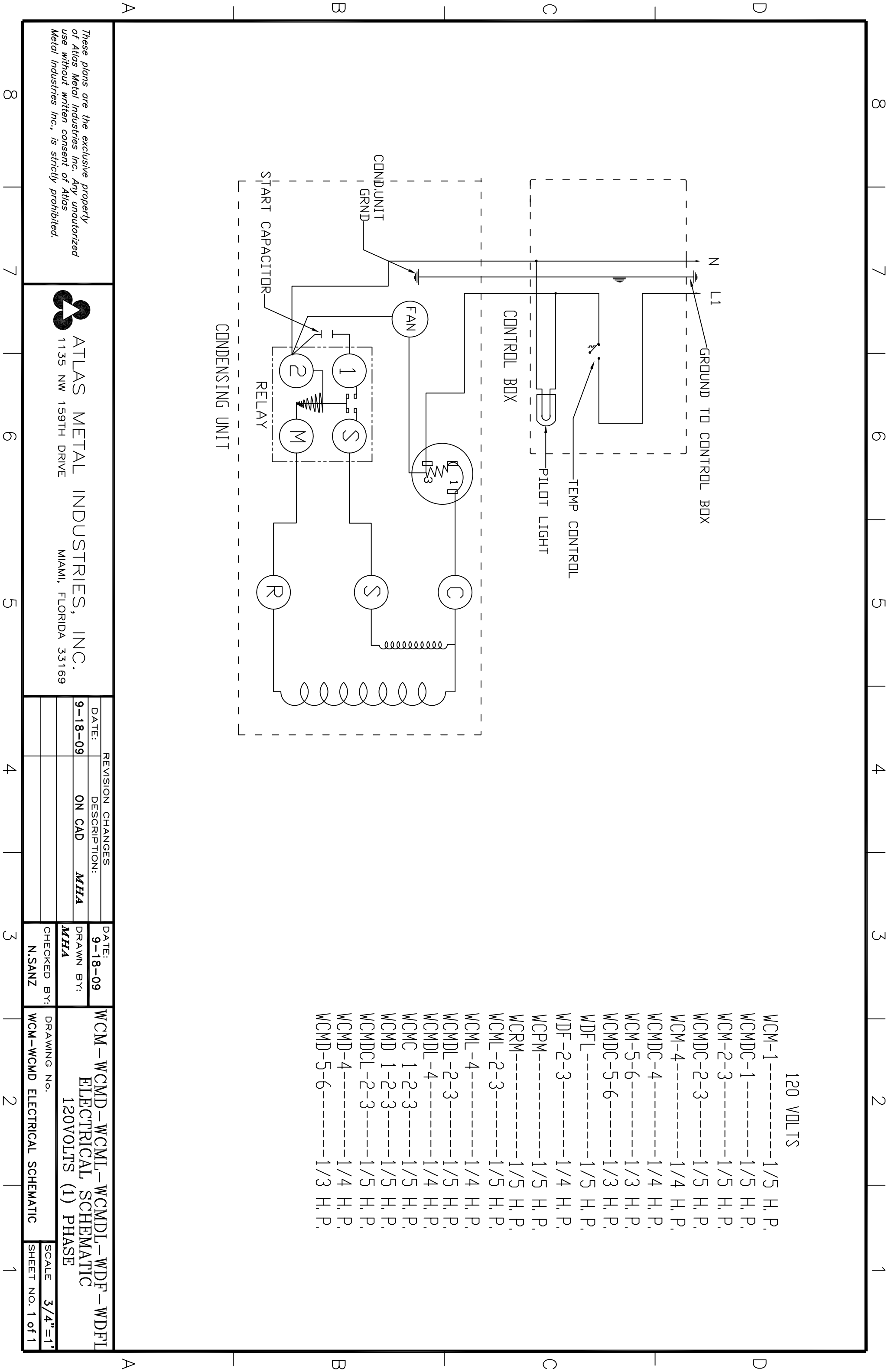
Atlas Metal INDUSTRIES, INC.

Subsidiary of Mercury Aircraft, Inc.

1135 N.W. 159th DR., MIAMI, FL 33169

PHONE (305) 625-2451, (800) 762-7565, FAX (305) 623-0475, E-mail: sales@atlasfoodserv.com

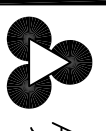
| Refrigerated Drop-In Trouble Shooting Guide | |
|---|--|
| Symptom | Probable Cause |
| Unit will not run | Unit not plugged in. No power at receptacle. Thermostat and or switch not in the on position. Unit may be in a defrost cycle (if supplied) wait approximately 20 min. Call factory for service at 1-800-762-7565 |
| Condenser runs but short cycles | Condenser coil dirty Inadequate ventilation. Call factory for service at 1-800-762-7565 |
| Condenser runs constantly. | Condenser coil dirty. Inadequate ventilation. Unit installed in a hot location Call factory for service at 1-800-762-7565 NOTE: WF series runs constantly. |
| Food product not cold enough. | Food product must be chilled to 33-35 deg. when placed in unit. Air movement over food product. Food product not being stirred or rotated. Call factory for service at 1-800-762-7565 |



120 VOLTS

- WCM-1-----1/5 H. P.
- WCMDC-1-----1/5 H. P.
- WCM-2-3-----1/5 H. P.
- WCMDC-2-3-----1/5 H. P.
- WCM-4-----1/4 H. P.
- WCMDC-4-----1/4 H. P.
- WCM-5-6-----1/3 H. P.
- WCMDC-5-6-----1/3 H. P.
- WDFL-----1/5 H. P.
- WDF-2-3-----1/4 H. P.
- WCPM-----1/5 H. P.
- WCRM-----1/5 H. P.
- WCML-2-3-----1/5 H. P.
- WCML-4-----1/4 H. P.
- WCMDL-2-3-----1/5 H. P.
- WCMDL-4-----1/4 H. P.
- WCMC 1-2-3-----1/5 H. P.
- WCMD 1-2-3-----1/5 H. P.
- WCMDC-2-3-----1/5 H. P.
- WCMD-4-----1/4 H. P.
- WCMD-5-6-----1/3 H. P.

These plans are the exclusive property of Atlas Metal Industries Inc. Any unauthorized use without written consent of Atlas Metal Industries Inc., is strictly prohibited.



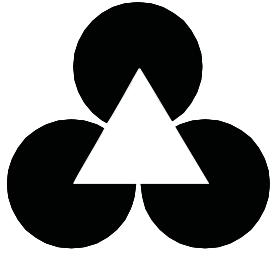
ATLAS METAL INDUSTRIES, INC.
1135 NW 159TH DRIVE
MIAMI, FLORIDA 33169

REVISION CHANGES

| DATE: | DESCRIPTION: | DATE: | DRAWN BY: | DRAWING No. |
|---------|--------------|---------|-----------|-------------------------------|
| 9-18-09 | ON CAD | 9-18-09 | MHA | WCM-WCMD ELECTRICAL SCHEMATIC |
| | | | MHA | |
| | | | N.SANZ | |

WCM-WCMD-WCML-WCMDL-WDF-WDFL
ELECTRICAL SCHEMATIC
120VOLTS (1) PHASE

SCALE 3/4"=1'
SHEET NO. 1 of 1



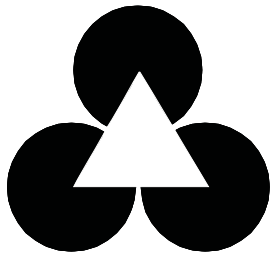
Atlas Metal
INDUSTRIES, INC.

LIMITED WARRANTY

Atlas Metal Industries, Inc. warrants to the Purchaser of this product that the same shall be free from defects in the workmanship and material for a period of one year from the date of original installation of the equipment, but not to exceed eighteen (18) months after date of shipment from factory. During this period of time Atlas Metal Industries, Inc. will replace all defective parts and will pay for authorized replacement labor. Replacement and installation of such parts and labor shall be provided only upon prior written authority of Atlas Metal Industries, Inc.

The Refrigeration warranty is for a twenty (20) month time period and includes supplying the compressor at a no charge basis provided the damage to the compressor was not caused by the customer or end user. Authorized replacement labor will be paid for a period of one year from date of installation. Freight costs for defective unit to and from Atlas Metal Industries, Inc. are not included, and all defective parts must be returned to the factory freight prepaid for evaluation. **ALL WARRANTY LABOR MUST BE AUTHORIZED BY ATLAS METAL INDUSTRIES, INC. PRIOR TO THE ACTUAL WORK BEING DONE.** This warranty does not apply to any equipment or any part thereof, which has been subjected to shipping damage, improper voltage, alteration, abuse or misuses, and does not cover loss of food, other products, or damage to property due to mechanical or electrical malfunction.

THERE ARE NO WARRANTIES WHICH EXTEND BEYOND THE DESCRIPTION OF THE FACE HEREOF. SELLER DISCLAIMS ANY IMPLIED WARRANTY OF MERCHANTABILITY OF THE GOODS OR THE FITNESS OF THE GOODS FOR ANY PURPOSE AND BUYER AGREES THAT THE GOODS ARE SOLD "AS IS."



Atlas Metal
INDUSTRIES, INC.

WARRANTY INFORMATION

In order to have your invoice approved for payment by the factory, please note the following:

An authorization number must be obtained from the factory prior to performing any warranty service.

Atlas Metal will not approve excessive labor due to poor access to the unit being serviced. If design does not allow reasonable access, contact the factory.

All travel time that exceeds 100 miles round trip must be authorized by the factory.

**Thank You:
Warranty service Dept.**