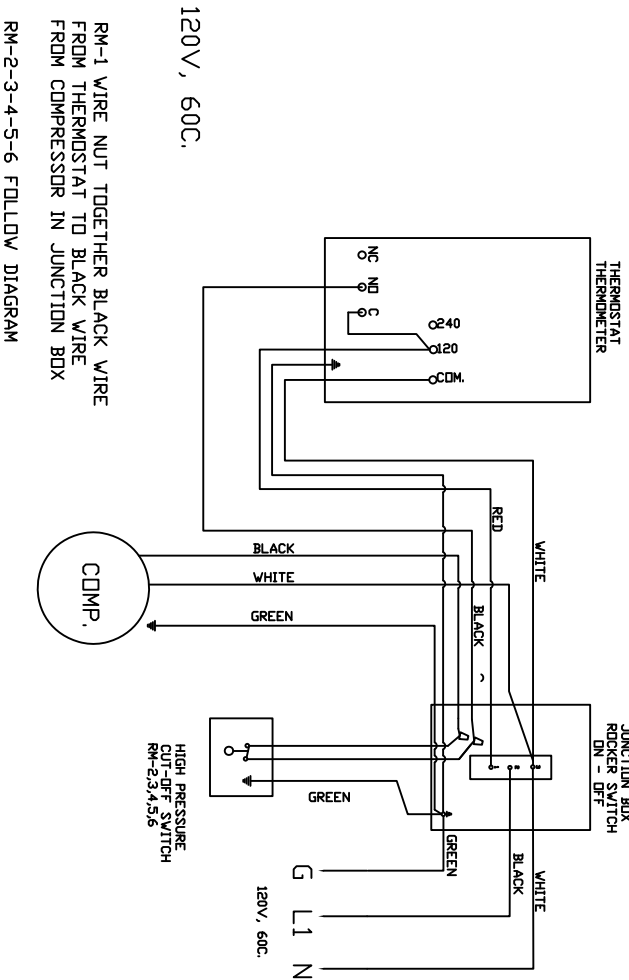


RM1-2-3-4-5-6 ELECTRIC HOOK UP
 RM-1 DO NOT TAKE HIGH PRESSURE CUT OFF



RM-2-3-----1/4H.P.
 RM-4-----1/3H.P.
 RM-5-6-----1/2H.P.

RML-2-3-----1/4H.P.
 RML-4-----1/3H.P.

120V, 60C.

RM-1 WIRE NUT TOGETHER BLACK WIRE
 FROM THERMOSTAT TO BLACK WIRE
 FROM COMPRESSOR IN JUNCTION BOX

RM-2-3-4-5-6 FOLLOW DIAGRAM

*These plans are the exclusive property
 of Atlas Metal Industries Inc. Any unauthorized
 use without written consent of Atlas
 Metal Industries Inc., is strictly prohibited.*



ATLAS METAL INDUSTRIES, INC.
 1135 NW 159TH DRIVE
 MIAMI, FLORIDA 33169

REVISION CHANGES		DATE:	DESCRIPTION:
		03-28-00	

DATE:	03-28-00	DRAWING NO.:	RM-2 ELECTRICAL SCHEMATIC
DRAWN BY:	MZA	SCALE:	3/4"=1'
CHECKED BY:	N.SANZ	SHEET NO.:	1 of 1

RM-2-3-4-5-6 ELECTRICAL SCHEMATIC
 120VOLTS (1) PHASE